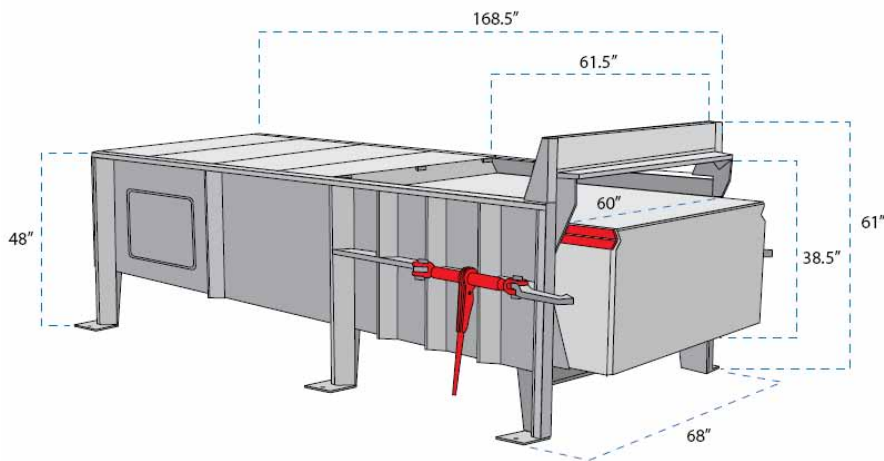




## Stationary Compactor - C3

Built rugged. Built for efficiency. Where there is a need to handle large volumes of refuse, the BACE 3-yard compactor is the intelligent choice. The C3 features a large 60”L x 61”W charge box opening, a fast cycle time, and over 24 tons of compaction force to ensure efficiency when handling those high volume applications.



SPECIFICATIONS	
MFG Rating CU/YD	2.31
Ram Face (H"xW")	29 x 60
Ram Penetration (in)	14
Cylinder Bore//Stroke/Rod (in)	6 x 78 x 4
Motor (HP)	15
Pump GPM	13.8
Avg. Cycle Time (sec)	71
Clear Top Opening (in)	60 x 61
Discharge Opening (in)	37 x 60
Hydraulic Pressure PSI Normal/Maximum	1700/2100
Force Rating (lb) Normal/Maximum	48,000/53,700
Approx. Compactor Shipping Weight (lbs)	6700

CONSTRUCTION	
Charge Box Sides (in)	1/4
Charge Box Floor (in)	1/2
Ram Face (in)	5/8
Ram Bottom (in)	3/8
Ram Top (in)	1/4
Breaker Bar Structural Angle	6" x 8" x 1"

Available Options
Advanced / full lights
Auto timer start
Oil heater
Ozone odor control
Fabricated options
Doghouse, Hoppers, Chute, etc.

Due to continual product improvement BACE reserves the right to change specifications without notice. The information and pictures used in the document are for illustrative purposes only.

Printed on recycled paper

M-3212009



Toll Free: (877) 506-BACE (2223)  
www.BACECORP.com

BACE equipment is ETL certified/UL approved and meets or exceeds ANSI standard Z245.5.