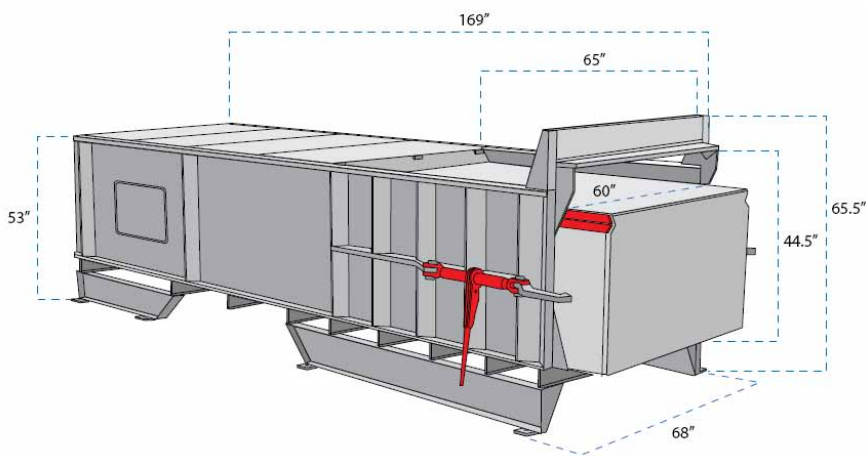




Stationary Compactor - C4

Exceptional quality and design make the C4 the right choice for those large commercial and industrial applications. The huge charge box opening allows easy loading of bulky items such as drums, pallets, crates and general industrial discards.



SPECIFICATIONS	
MFG Rating CU/YD	2.71
Ram Face (H"xW")	34 x 60
Ram Penetration (in)	14
Cylinder Bore//Stroke/Rod (in)	6 x 78 x 4
Motor (HP)	20
Pump GPM	15
Avg. Cycle Time (sec)	70
Clear Top Opening (in)	60 x 61
Discharge Opening (in)	41 x 60
Hydraulic Pressure PSI Normal/Maximum	1700/2100
Force Rating (lb) Normal/Maximum	48,000/53,700
Approx. Compactor Shipping Weight (lbs)	8200

CONSTRUCTION	
Charge Box Sides (in)	1/4
Charge Box Floor (in)	1/2
Ram Face (in)	5/8
Ram Bottom (in)	3/8
Ram Top (in)	1/4
Breaker Bar Structural Angle	6" x 8" x 1"

Available Options
Advanced / full lights
Auto timer start
Oil heater
Ozone odor control
Fabricated options
Doghouse, Hoppers, Chute, etc.

Due to continual product improvement BACE reserves the right to change specifications without notice. The information and pictures used in the document are for illustrative purposes only.

Printed on recycled paper

M-3212009



Toll Free: (877) 506-BACE (2223)
www.BACECORP.com

BACE equipment is ETL certified/UL approved and meets or exceeds ANSI standard Z245.5.