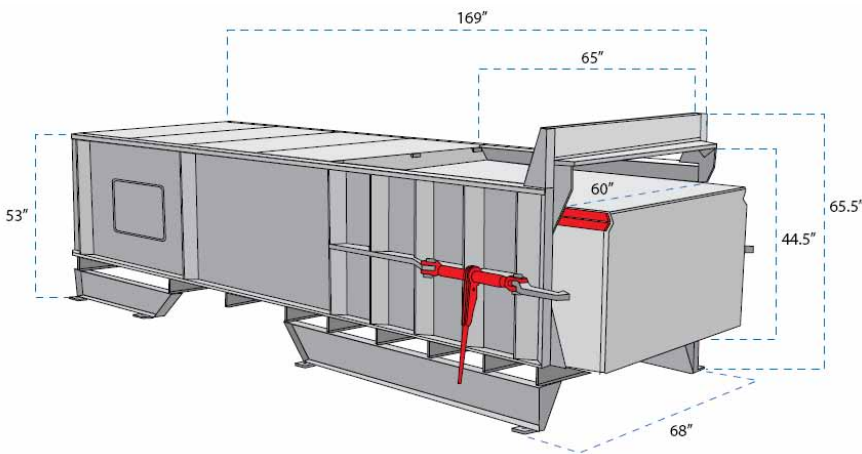




## Stationary Compactor - C4HD

The C4HD compacts with over 75,000 pounds of force, has a 59 second cycle time, and can displace over 175 cubic yards of refuse per hour with amazing density. The huge charge box opening allows easy loading of bulky items such as drums, pallets, crates, and general industrial discards.



SPECIFICATIONS	
MFG Rating CU/YD	2.71
Ram Face (H"xW")	34 x 60
Ram Penetration (in)	14
Cylinder Bore//Stroke/Rod (in)	7 x 78 x 4
Motor (HP)	20
Pump GPM	15
Avg. Cycle Time (sec)	59
Clear Top Opening (in)	60 x 61
Discharge Opening (in)	41 x 60
Hydraulic Pressure PSI Normal/Maximum	2000/2400
Force Rating (lb) Normal/Maximum	77,000/85,000
Approx. Compactor Shipping Weight (lbs)	8400

CONSTRUCTION	
Charge Box Sides (in)	1/4
Charge Box Floor (in)	1/2
Ram Face (in)	3/4
Ram Bottom (in)	3/8
Ram Top (in)	3/8
Breaker Bar Structural Angle	6" x 8" x 1"

Available Options
Advanced / full lights
Auto timer start
Oil heater
Ozone odor control
Fabricated options
Doghouse, Hoppers, Chute, etc.

Due to continual product improvement BACE reserves the right to change specifications without notice. The information and pictures used in the document are for illustrative purposes only.

Printed on recycled paper

M-3212009



Toll Free: (877) 506-BACE (2223)  
www.BACECORP.com

BACE equipment is ETL certified/UL approved and meets or exceeds ANSI standard Z245.5.