



## Vertical Baler - V43HD

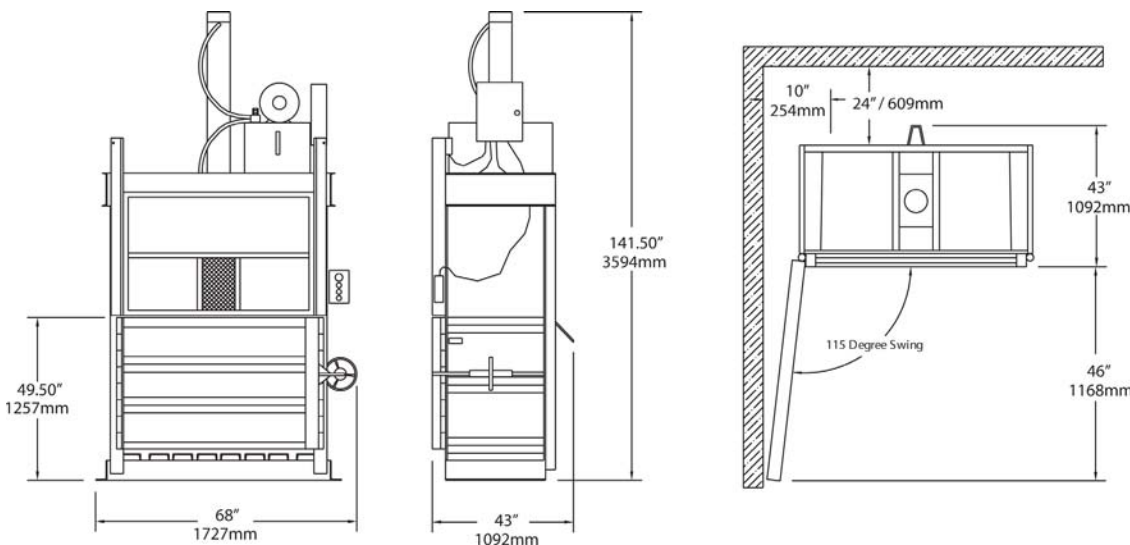
The V43HD is designed to produce high density bales while taking up minimal space.

This model comes standard with a full bale switch and is ideal for Retailers, Grocery Stores, Drug Stores, Distribution Centers, and other organizations and have space constraints.

**Includes:**  
Hydraulic Oil &  
Starter Bundle of Wire



SPECIFICATIONS	
<b>PERFORMANCE</b>	
Nominal Bale Size	48" x 30" x 48"
Bale Weight	Up to 800 lbs OCC
Bale Volume	40 cu.ft.
No. of Bale Tie Slots	4
Compact Force lbs. - Normal/Maximum	62,202/67,857
Platen Pressure	47 PSI
Average Cycle Time	46 Seconds
Loading Height	49.5"
Ejector System	Semi-Automatic
<b>HYDRAULIC/ELECTRICAL</b>	
Motor HP	15
Voltage 3 Phase	208, 230, 480
Pump GPM	12.8
Normal System Pressure PSI	2200
Max. System Pressure PSI	2400
Cylinder Bore	6"
Hydraulic Tank-Capacity Gallons	22



Available Options
Slotted Front Door
Wire Guides (allows for front bale tie-off)
Rear Feed Opening, Front Eject
Feed Chute
Counter Weighted Floppy Retainer Dogs
Oil Heater
Weather Proof Package
Full Bale Light

Due to continual product improvement BACE reserves the right to change specifications without notice. The information and pictures used in the document are for illustrative purposes only.

Printed on recycled paper

M-06012010

