



Vertical Baler - V63HDLP

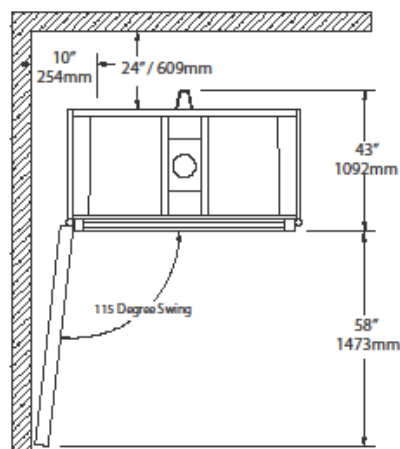
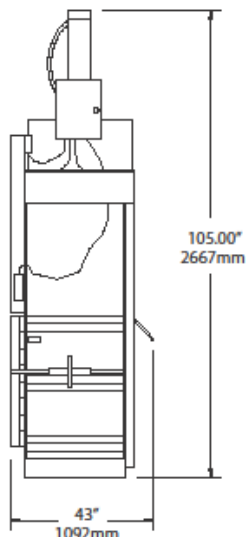
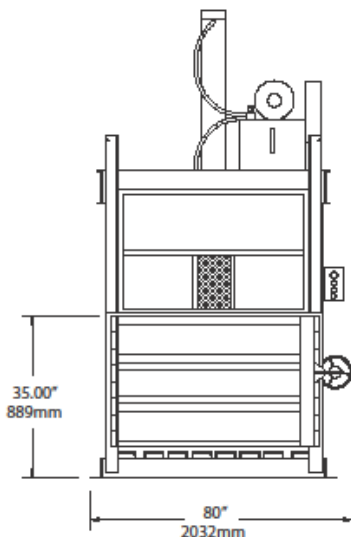
Our standard V63HDLP (low profile) features a 15 HP High Efficiency Power Unit.

The V63HDLP is designed for use in retail stores, manufacturing plants, warehouses, distribution centers or any location producing refuse paper and plastic.

Includes:
Hydraulic Oil &
Starter Bundle of Wire



SPECIFICATIONS	
PERFORMANCE	
Nominal Bale Size	60" x 30" x 33"
Bale Weight	Up to 700 lbs OCC
Bale Volume	34 cu.ft.
No. of Bale Tie Slots	6
Compact Force lbs. Normal/Maximum	62,202/67,857
Platen Pressure	38 PSI
Average Cycle Time	28 Seconds
Loading Height	35"
Ejector System	Semi-Automatic
Full Bale Switch	Standard
HYDRAULIC/ELECTRICAL	
Motor HP	15
Voltage 3 Phase (V = Volts) Full Load Amps Required (A = Amps)	208V, 230V, 480V 46A, 41A, 20A
Pump GPM	12.8
Normal System Pressure PSI	2200
Max. System Pressure PSI	2400
Cylinder Bore x Stroke	6" x 30"
Hydraulic Tank-Capacity Gallons	22



Available Options
Slotted Front Door
Wire Guides (allows for front bale tie-off)
Rear Feed Opening, Front Eject
Feed Chute
Counter Weighted Floppy Retainer Dogs
Oil Heater
Weather Proof Package
Full Bale Light

Due to continual product improvement BACE reserves the right to change specifications without notice. The information and pictures used in the document are for illustrative purposes only.

Printed on recycled paper

January 2012



Toll Free: (877) 506-BACE (2223) - Fax: (704) 394-2210
www.BACECORP.com



