



Heavy Duty Vertical Baler - V63XHD

This baler features a deep penetration 7" bore cylinder for producing high density bales of various OCC, plastics and metals.

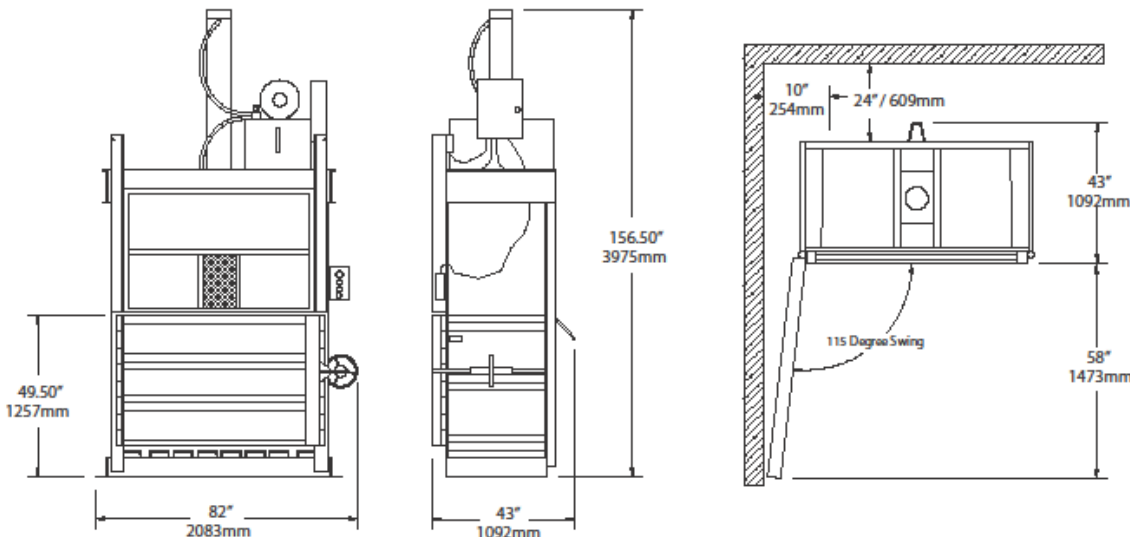
This heavy-duty baler delivers greater compact force while still only taking minimal space. Designed for use in retail stores, manufacturing plants, warehouses, distribution centers or any location producing refuse paper, plastic and non-ferrous metals.



Includes:
Hydraulic Oil &
Starter Bundle of Wire

SPECIFICATIONS

SPECIFICATIONS	
PERFORMANCE	
Nominal Bale Size	60" x 30" x 48"
Bale Weight	Up to 1300 lbs OCC
Bale Volume	50 cu.ft.
No. of Bale Tie Slots	5
Compact Force lbs. Normal/Maximum	84,667/96,213
Platen Pressure	51 PSI
Average Cycle Time	67 Seconds
Loading Height	49.50"
Ejector System	Semi-Automatic
Full Bale Switch	Standard
HYDRAULIC/ELECTRICAL	
Motor HP	20
Voltage 3 Phase (V = Volts) Full Load Amps Required (A = Amps)	208V, 230V, 480V 59A, 54A, 27A
Pump GPM	15
Normal System Pressure PSI	2200
Max. System Pressure PSI	2500
Cylinder Bore x Stroke	7" x 60"
Hydraulic Tank-Capacity Gallons	30



Available Options

Slotted Front Door
Wire Guides (allows for front bale tie-off)
Rear Feed Opening, Front Eject
Feed Chute
Counter Weighted Floppy Retainer Dogs
Oil Heater
Weather Proof Package
Full Bale Light

Due to continual product improvement BACE reserves the right to change specifications without notice. The information and pictures used in the document are for illustrative purposes only.

Printed on recycled paper

January 2012



Toll Free: (877) 506-BACE (2223) - Fax: (704) 394-2210
www.BACECORP.com



