



## Vertical Baler - V73

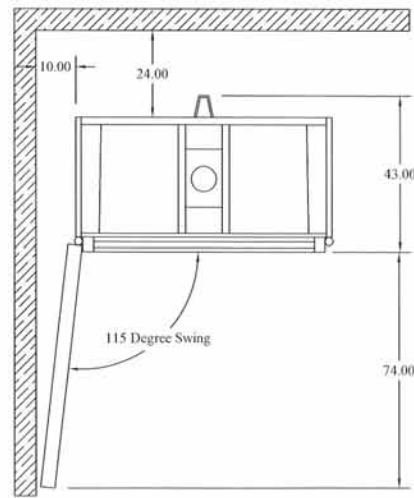
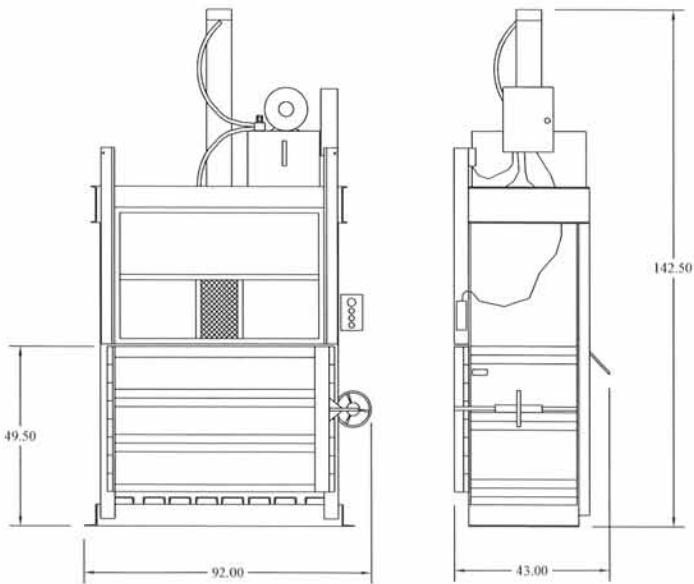
Our standard V73 features a 15 HP High Efficiency-Variable Displacement Power Unit.

When the opening of a standard size Vertical Baler is not quite big enough, the V73 is the design of choice. When the baler footprint is less of a concern and large bale sizes/weights are more of a priority, this baler is the right choice.

This model is ideal for Retailers, Grocery Stores, Drug Stores, and other organizations.



SPECIFICATIONS	
<b>PERFORMANCE</b>	
Nominal Bale Size	72" x 30" x 48"
Bale Weight	Up to 1400 lbs OCC
Bale Volume	60 cu.ft.
No. of Bale Tie Slots (14ft. Long x 14ga.)	7
Compact Force lbs. Normal/Maximum	56,548 / 67,857
Platen Pressure	28.3 PSI
Average Cycle Time	37 Seconds
Loading Height	49.6"
Ejector System	Semi-Automatic
Full Bale Switch	Standard
Approximate Baler Shipping Weight	4800 lbs
<b>HYDRAULIC/ELECTRICAL</b>	
Motor HP	15
Voltage 3 Phase	208, 230, 480
Pump GPM	15
Normal System Pressure PSI	2000
Max. System Pressure PSI	2400
Cylinder Bore x Stroke	6" x 48"
Hydraulic Tank-Capacity Gallons	22



Available Options
Slotted Front Door
Wire Guides (allows for front bale tie-off)
Rear Feed Opening, Front Eject
Feed Chute
Counter Weighted Floppy Retainer Dogs
Oil Heater
Weather Proof Package
Full Bale Light

Due to continual product improvement BACE reserves the right to change specifications without notice. The information and pictures used in the document are for illustrative purposes only.

Printed on recycled paper

M-5272009



Toll Free: (877) 506-BACE (2223)  
www.BACECORP.com

