

# Model V73-865

Customer Order Form Attached



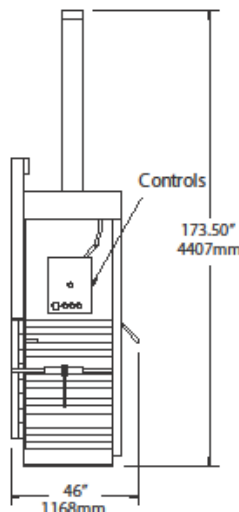
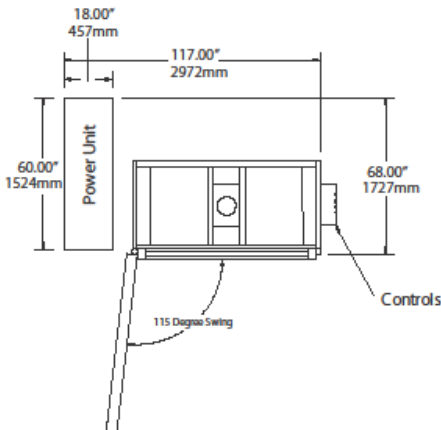
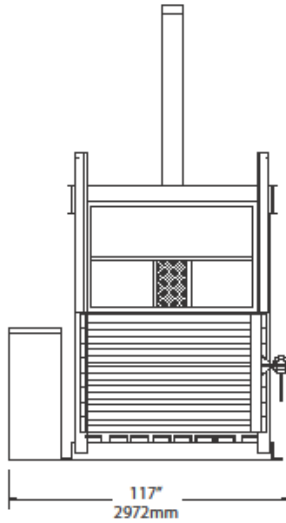
# BACE

## BALER AND COMPACTION EQUIPMENT

### Extra Heavy Duty Vertical Baler - V73-865

This baler can produce bale weights in excess of 1,500 lbs of cardboard and 2,200 lbs of non-ferrous metal.

Our extra heavy-duty baler is designed for high capacity requirements, providing a compact force up to 150,000 lbs.



SPECIFICATIONS	
<b>PERFORMANCE</b>	
Nominal Bale Size	72" x 30" x 48"
Bale Weight	Up to 1700 lbs OCC
Bale Volume	60 cu.ft.
No. of Bale Tie Slots	7
Compact Force lbs.	150,000
Platen Pressure	75 PSI
Average Cycle Time	35 Seconds
Loading Height	54"
Ejector System	Semi-Automatic
Full Bale Light	Standard

OPTION 1 HYDRAULIC/ELECTRICAL	
40HP Submersible Power Unit	4-10HP Motors*
Voltage 3 Phase (V = Volts) Full Load Amps Required (A = Amps) *Requirements are Per Motor	208V, 230V, 480V 30.8A, 28A, 14A
Pump GPM	47
Normal System Pressure PSI	3000
Cylinder Bore	8"
Cylinder Stroke	65"
Hydraulic Tank Capacity - Gallons	100

OPTION 2 HYDRAULIC/ELECTRICAL	
20HP Conventional Power Unit	20HP Motor
Voltage 3 Phase (V = Volts) Full Load Amps Required (A = Amps)	208V, 230V, 480V 52A, 47.6A, 23.8A
Pump (HP Limiting)	33 GPM (Pres. Comp.)
Normal System Pressure PSI	3000
Max. System Pressure PSI	3500
Cylinder Bore	8"
Cylinder Stroke	65"
Hydraulic Tank-Capacity Gallons	80

**Includes:  
Hydraulic Oil &  
Starter Bundle of Wire**

Due to continual product improvement BACE reserves the right to change specifications without notice. The information and pictures used in the document are for illustrative purposes only.

Printed on recycled paper

January 2012



Toll Free: (877) 506-BACE (2223) - Fax: (704) 394-2210  
www.BACECORP.com

BACE equipment meets or exceeds ANSI standard Z245.5.



