



Vertical Baler - V73HD

Our standard V73HD features a 15 HP High Efficiency-Power Unit.

When the opening of a standard size Vertical Baler is not quite big enough, the V73HD is the design of choice. When the baler footprint is less of a concern and large bale sizes/weights are more of a priority, this baler is the right choice.

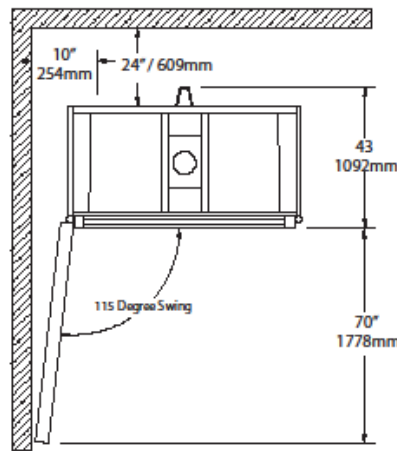
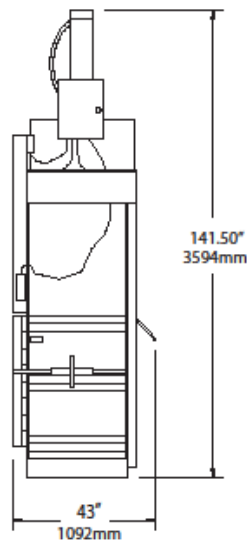
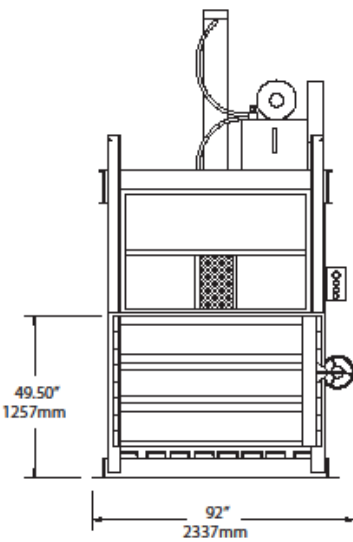
This model is ideal for Retailers, Grocery Stores, Drug Stores, and other organizations.



Includes:
Hydraulic Oil &
Starter Bundle of Wire

SPECIFICATIONS

PERFORMANCE	
Nominal Bale Size	72" x 30" x 48"
Bale Weight	Up to 1300 lbs OCC
Bale Volume	60 cu.ft.
No. of Bale Tie Slots	7
Compact Force lbs. Normal/Maximum	62,202 / 67,857
Platen Pressure	30 PSI
Average Cycle Time	46 Seconds
Loading Height	49.50"
Ejector System	Semi-Automatic
Full Bale Switch	Standard
HYDRAULIC/ELECTRICAL	
Motor HP	15
Voltage 3 Phase (V = Volts) Full Load Amps Required (A = Amps)	208V, 230V, 480V 46A, 41A, 20A
Pump GPM	12.8
Normal System Pressure PSI	2200
Max. System Pressure PSI	2400
Cylinder Bore x Stroke	6" x 48"
Hydraulic Tank-Capacity Gallons	22



Available Options

- Slotted Front Door
- Wire Guides (allows for front bale tie-off)
- Rear Feed Opening, Front Eject
- Feed Chute
- Counter Weighted Floppy Retainer Dogs
- Oil Heater
- Weather Proof Package
- Full Bale Light

Due to continual product improvement BACE reserves the right to change specifications without notice. The information and pictures used in the document are for illustrative purposes only.

Printed on recycled paper

January 2012



Toll Free: (877) 506-BACE (2223) - Fax: (704) 394-2210
www.BACECORP.com



