



Vertical Baler - V74HD

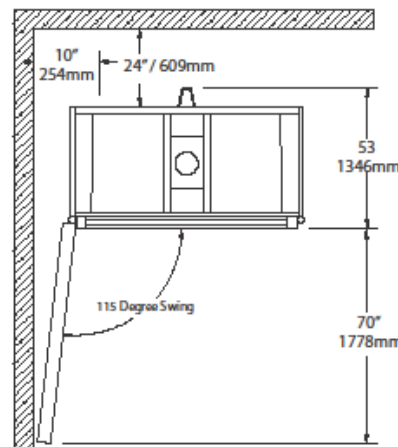
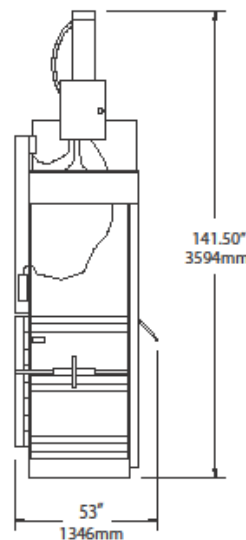
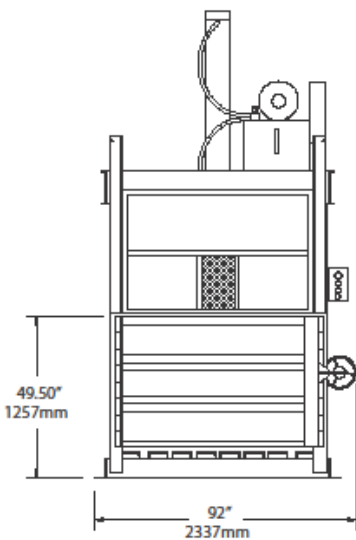
Our standard V74HD features a 15 HP High Efficiency-Power Unit.

Includes:
Hydraulic Oil &
Starter Bundle of Wire

When the opening of a standard size Vertical Baler is not quite big enough, the V74HD is the design of choice. With it's oversized opening, this baler can handle large Gaylord or furniture sized boxes, large pieces of plastic or other large recyclable items.



SPECIFICATIONS	
PERFORMANCE	
Nominal Bale Size	72" x 40" x 48"
Bale Weight	Up to 1500 lbs OCC
Bale Volume	60 cu.ft.
No. of Bale Tie Slots	7
Compact Force lbs. Normal/Maximum	62,202/67,857
Platen Pressure	23 PSI
Average Cycle Time	46 Seconds
Loading Height	49.6"
Ejector System	Semi-Automatic
Full Bale Switch	Standard
HYDRAULIC/ELECTRICAL	
Motor HP	15
Voltage 3 Phase (V = Volts) Full Load Amps Required (A = Amps)	208V, 230V, 480V 46A, 41A, 20A
Pump GPM	12.8
Normal System Pressure PSI	2200
Max. System Pressure PSI	2400
Cylinder Bore x Stroke	6" x 48"
Hydraulic Tank-Capacity Gallons	22



Available Options
Slotted Front Door
Wire Guides (allows for front bale tie-off)
Rear Feed Opening, Front Eject
Feed Chute
Counter Weighted Floppy Retainer Dogs
Oil Heater
Weather Proof Package
Full Bale Light

Due to continual product improvement BACE reserves the right to change specifications without notice. The information and pictures used in the document are for illustrative purposes only.

Printed on recycled paper

January 2012



