



## Vertical Baler - V74XHD

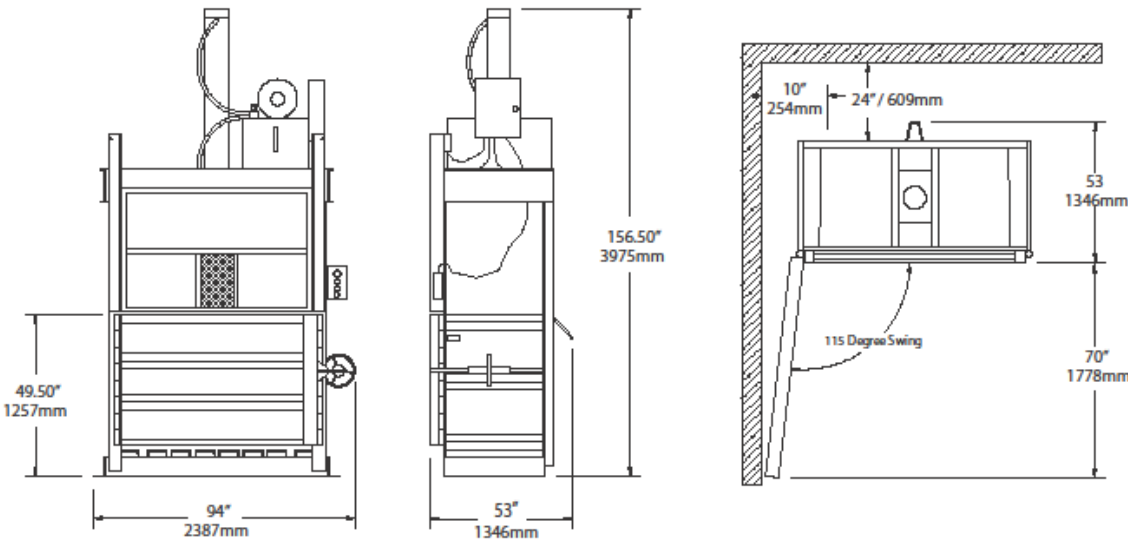
Our standard V74XHD (heavy duty) features a 20 HP High Efficiency Power Unit.

**Includes:**  
Hydraulic Oil & Starter Bundle of Wire

When the opening of a standard size Vertical Baler is not quite big enough and high density bales are required, the V74XHD is the design of choice. With it's 70" X 40" deep opening and deep penetration cylinder, this baler will generate extremely dense bales of large Gaylord or furniture sized boxes, large plastic containers or other large recyclable items.



SPECIFICATIONS	
<b>PERFORMANCE</b>	
Nominal Bale Size	72" x 40" x 48"
Bale Weight	Up to 1700 lbs OCC
Bale Volume	60 cu.ft.
No. of Bale Tie Slots	7
Compact Force lbs. Normal/Maximum	84,667/93,213
Platen Pressure	31 PSI
Average Cycle Time	67 Seconds
Loading Height	49.50"
Ejector System	Semi-Automatic
Full Bale Switch	Standard
<b>HYDRAULIC/ELECTRICAL</b>	
Motor HP	20
Voltage 3 Phase (V = Volts) Full Load Amps Required (A = Amps)	208V, 230V, 480V 59A, 54A, 27A
Pump GPM	15
Normal System Pressure PSI	2200
Max. System Pressure PSI	2500
Cylinder Bore x Stroke	7" x 60"
Hydraulic Tank-Capacity Gallons	30



Available Options
Slotted Front Door
Wire Guides (allows for front bale tie-off)
Rear Feed Opening, Front Eject
Feed Chute
Counter Weighted Floppy Retainer Dogs
Oil Heater
Weather Proof Package
Full Bale Light

Due to continual product improvement BACE reserves the right to change specifications without notice. The information and pictures used in the document are for illustrative purposes only.

Printed on recycled paper

January 2012



Toll Free: (877) 506-BACE (2223) - Fax: (704) 394-2210  
www.BACECORP.com



