

# MODEL V43HD CUSTOMER ORDER FORM



REV6012010

PAGE 1

Bill To	
Company:	
(Legal Name)	
Address:	
Address:	
City/State/Zip:	
Attention:	
Phone:	
Fax:	

Ship To	
Company:	
Address:	
Address:	
City/State/Zip:	
Attention:	
Phone:	
Fax:	

## Select HP/Voltage & Electrical Requirements:

Note: The V43HD Baler is available in 10 HP Single and 3 Phase OR 15 HP 3 Phase.

	Motor HP	Voltage	Full Load Amps	Power Supply Required
<input type="checkbox"/>	10HP Single Phase	220V	50	100
<input type="checkbox"/>	10HP 3 Phase	208V	30	60
<input type="checkbox"/>	10HP 3 Phase	230V	28	60
<input type="checkbox"/>	10HP 3 Phase	460/480V	14	30
<input type="checkbox"/>	15HP 3 Phase	208V	46	80
<input type="checkbox"/>	15HP 3 Phase	230V	41	80
<input type="checkbox"/>	15HP 3 Phase	460/480V	20	40

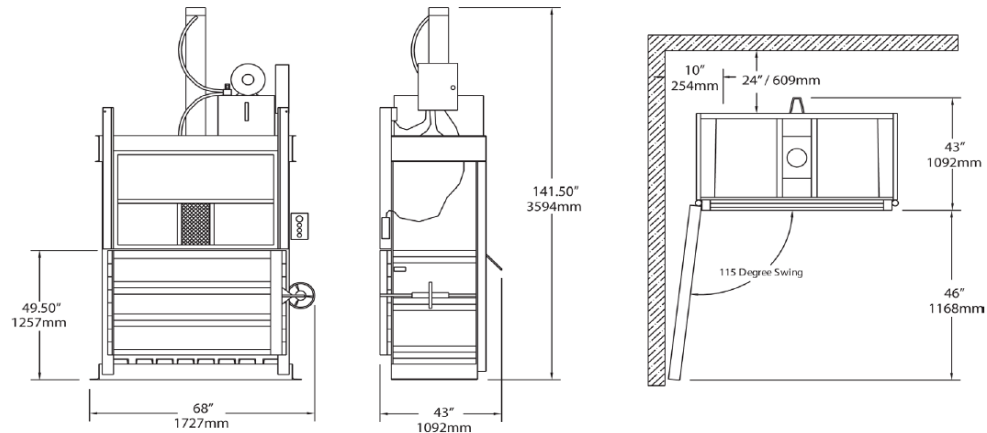
**\*\*\*CUSTOMER IS REQUIRED TO SUPPLY A FUSED DISCONNECT AND 12' PIGTAIL\*\*\***

## Door Swing: (drawing shows LEFT HAND layout (based on side of hinge when facing the baler))

- LEFT Hand Hinge
- RIGHT Hand Hinge

## Options:

- Slotted Door
- Single Phase Power Unit
- Rear Wire Guides
- Full Bale Light
- Custom Logo
- Custom Color
- Rear Feed Front Eject
- Front Feed Chute
- Floppy Retainer Dogs
- Oil Heater
- Weather Proof (outdoor use)



### NOTES:

**Color:**  Grey  Green  Blue  Custom Color (CODE) \_\_\_\_\_

All balers come with a **STARTER** bundle of baling wire. Do you need extra wire? (\$90/Bundle)  YES  NO

If YES, how many Bundles? \_\_\_\_\_

## Delivery:

What is your required delivery date? \_\_\_\_\_

Do you require BACE to deliver?  YES  NO

**Installation:** If you require BACE to set up installation please fill out PAGE 2 of this document.

Signature \_\_\_\_\_ Date \_\_\_\_\_ PO # \_\_\_\_\_

In order to process your order we must receive a signed copy of this document along with a signed copy of the Estimate from BACE for this job. Please fax to: (704) 394-2210 or email to sales@bacecorp.com

# INSTALLATION FORM



**Installation:** If you require BACE to set up installation please completely fill out this document.

Preferred Installer:	
Company:	
Address:	
Address:	
City/State/Zip:	
Attention:	
Phone:	
Fax:	

	YES	NO
Do you have a loading dock with 8' wide door?		
What is your ceiling height?		
Any obstacles (steps, grade change, overhead pipes)?		
Do we need to remove an existing baler?		
Do you have a forklift onsite?		
What is the capacity of your forklift?	LBS	

Provide a diagram for the proposed location of the baler similar to the drawing shown below.

