



BACE

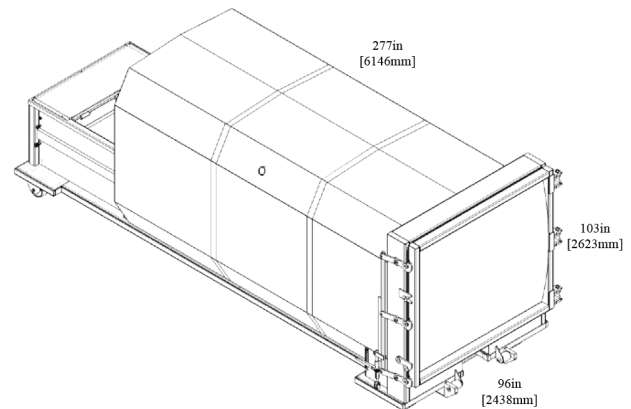
BACE Self-Contained Compactor SC35

The BACE SC (superior compaction) series of self-contained compactors is the answer to your wet-refuse requirements. The BACE SC units are ideal for grocery markets, malls, movie theatres, restaurants, hospitals, food processing plants, and retail super centers that process or produce excessive wet waste and/or want to create an organics program. The Waste Flush Sump System with Waste Flow Design offers a 750 -gallon liquid sump reservoir underneath and behind the compaction ram. This putrescible waste is compacted to be emptied at the your local landfill. For those who want to discard the waste before the dump, please inquire about our IntelliPACT™ System, which will reduce your hauling weight, saving you money in hauling fees. The unique BACE “T” seal around the door is a specially designed composite that ensures a liquid-tight, self-cleaning seal.

Order Today: (877) 506-BACE
or visit us online at www.bacecorp.com

322 West 32nd Street
Charlotte, NC. 28206

BACE Vertical Balers meet or exceed all existing ANSI & OSHA Safety Standards and are totally 100% ETL & CETL Approved.



Available Options

- Advanced / Full Lights
- Auto Timer Start
- Doghouse, Hoppers, Chute, etc.
- Fabricated Options
- Hydraulic Dual Tank with Sump
- Hydraulic Soft Shift
- Oil Heater
- Ozone Odor Control



LEARN MORE AT WWW.BACECORP.COM

Toll Free: (877) 506-BACE (2223) • Fax: (704) 394-2210
BACE equipment meets or exceeds ANSI standard Z245.5.

BACE Self-Contained Compactor SC35

SPECIFICATIONS

PERFORMANCE

MFG Rating CU/YD	2CY
Ram Face (H"xW")	30 x 60
Ram Penetration (in)	6
Cylinder Bore//Stroke	2X - 4 x 32
Motor (HP)	10
Pump GPM	10.5
Avg. Cycle Time (sec)	40
Clear Top Opening (in)	40 x 60
Discharge Opening (in)	37 x 60
Hydraulic Pressure PSI Normal/Maximum	1800 / 2200
Force Rating (lb) Normal/Maximum	45,241 / 55,294
Approx. Compactor Shipping Weight (lbs)	10,500

CONSTRUCTION

Charge Box Sides (in)	3/16
Charge Box Floor (in)	1/2
Ram Face (in)	3/8
Ram Bottom (in)	3/8
Ram Top (in)	1/4
Breaker Bar Structural Angle	4" x 6" x 3/4"

ADDITIONAL HYDRAULIC/ELECTRICAL CONFIGURATIONS ARE AVAILABLE. PLEASE CALL BACE FOR MORE INFORMATION.

Due to continual product improvement BACE reserves the right to change specifications without notice.

The information and pictures used in the document are for illustrative purposes only.

Printed on recycled paper.