



BACE

BACE Vertical Baler V3016HD

You can increase your recycling time of refuse containers over 7 times faster than manually extracting the liquids. This equipment can make a single bale from up to 4000 aluminum beverage cans and up to 2000 plastic beverage bottles. The baler includes a system to capture the liquid waste and divert it to an approved drain.

Ideal for

- Big Box Retailers
- Bottling Companies (ie; Coca-Cola)
- Commissaries
- Distribution Centers
- Grocery Stores
- Home Retailers
- Hospitals
- National Accounts
- Pharmacies
- Recyclers
- Schools
- Soda or Water Distributors
- Universities
- Warehouses



Order Today: (877) 506-BACE
or visit us online at www.bacecorp.com

322 West 32nd Street
Charlotte, NC. 28206

BACE Vertical Balers meet or exceed all existing ANSI & OSHA Safety Standards and are totally 100% ETL & CETL Approved.



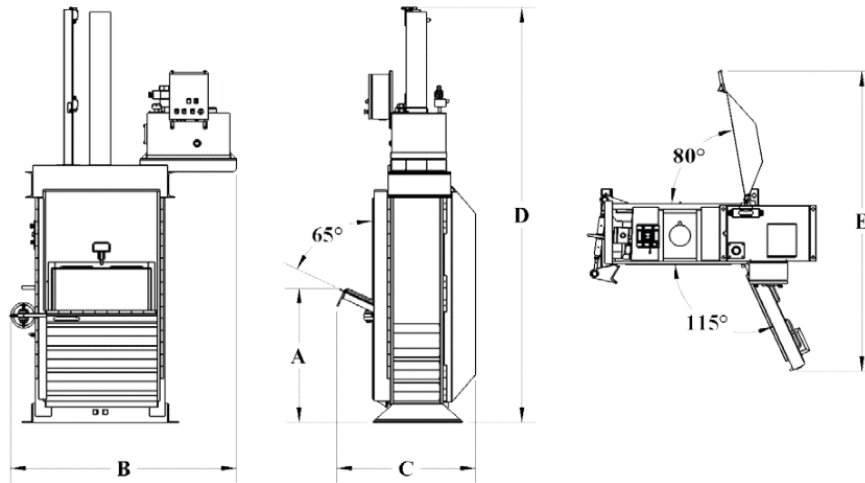
LEARN MORE AT WWW.BACECORP.COM

Toll Free: (877) 506-BACE (2223) • Fax: (704) 394-2210
BACE equipment meets or exceeds ANSI standard Z245.5.

BACE Vertical Baler V3016HD

DIM. (in./mm)

- A. 42/1067
- B. 70/1778
- C. 43/1092
- D. 130/3302
- E. 93/2362



SPECIFICATIONS

PERFORMANCE

Nominal Bale Size	30" x 16" x 24"
Bale Weight	Up to 250 lbs
Bale Volume	6.7 cu. ft.
No. of Bale Tie Slots	5
Compact Force lbs - Normal / Maximum	62,203
Average Cycle Time	49 Seconds
Loading Height	41"
Ejector System	Semi-Automatic

HYDRAULIC / ELECTRICAL

Motor HP	15
Voltage 3 Phase	208V, 230V, 480V
Full Load Amps (A = Amps)	48A, 42A, 21A
Pump GPM	12
Normal System Pressure PSI	2200
Cylinder Bore x Stroke	6" x 48"
Hydraulic Tank-Capacity Gallons	22

ADDITIONAL HYDRAULIC/ELECTRICAL CONFIGURATIONS ARE AVAILABLE. PLEASE CALL BACE FOR MORE INFORMATION.

Available Options

- Oil Heater
- Weather Proof Package

*Due to continual product improvement BACE reserves the right to change specifications without notice.
The information and pictures used in the document are for illustrative purposes only.
Printed on recycled paper.*