



BACE

BACE Vertical Baler V32

Our standard high density baler has an economical yet dependable design. This model is ideal for Retailers, Grocery Stores, Drug Stores, and other organizations that recycle OCC or Plastic Film.



Ideal for

- Big Box Retailers
- Commissaries
- Distribution Centers
- Grocery Stores
- Home Retailers
- Hospitals
- National Accounts
- Pharmacies
- Recyclers
- Schools
- Universities
- Warehouses

Order Today: (877) 506-BACE
or visit us online at www.bacecorp.com

322 West 32nd Street
Charlotte, NC. 28206

BACE Vertical Balers meet or exceed all existing ANSI & OSHA Safety Standards and are totally 100% ETL & CETL Approved.



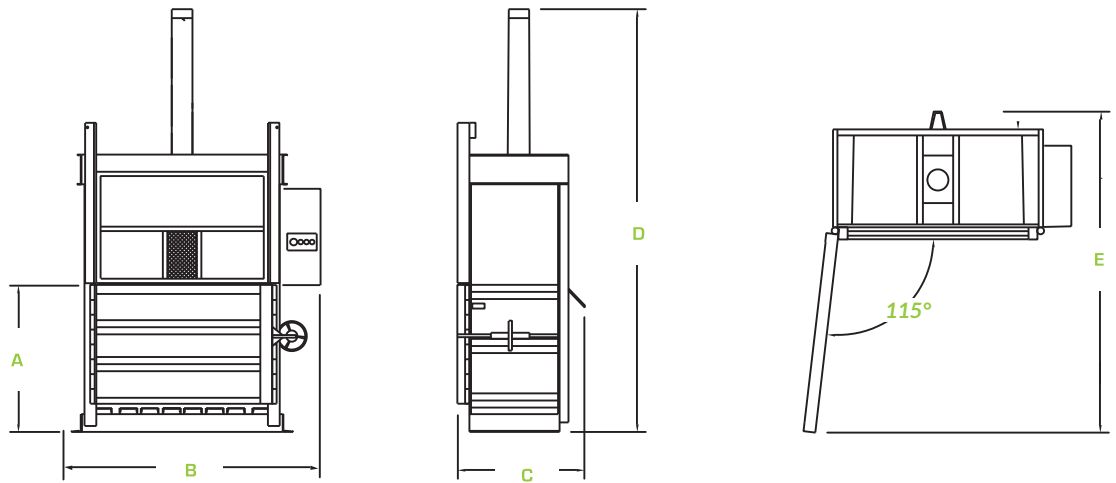
LEARN MORE AT WWW.BACECORP.COM

Toll Free: (877) 506-BACE (2223) • Fax: (704) 394-2210
BACE equipment meets or exceeds ANSI standard Z245.5.

BACE Vertical Baler V32

DIM. (in./mm)

- A. 35/889
- B. 59/1499
- C. 32/813
- D. 99/2215
- E. 66/1676



SPECIFICATIONS

PERFORMANCE

Nominal Bale Size	36" x 24" x 30"
Bale Weight	Up to 250 lbs
Bale Volume	15 cu. ft.
No. of Bale Tie Slots	4
Compact Force lbs - Normal / Maximum	12,016
Average Cycle Time	40 Seconds
Loading Height	35"
Ejector System	Semi-Automatic
Full Bale Switch	Optional

HYDRAULIC / ELECTRICAL

Motor HP	3 HP
Voltage 3 Phase	208V, 230V, 480V
Full Load Amps (A = Amps)	13A, 12A, 8A
Pump GPM	2.8
Normal System Pressure PSI	1700
Cylinder Bore x Stroke	3" x 30"
Hydraulic Tank-Capacity Gallons	10 gal

ADDITIONAL HYDRAULIC/ELECTRICAL CONFIGURATIONS ARE AVAILABLE. PLEASE CALL BACE FOR MORE INFORMATION.

Available Options

- Oil Heater
- Weather Proof Package
- Full Bale Light

*Due to continual product improvement BACE reserves the right to change specifications without notice.
The information and pictures used in the document are for illustrative purposes only.
Printed on recycled paper.*