

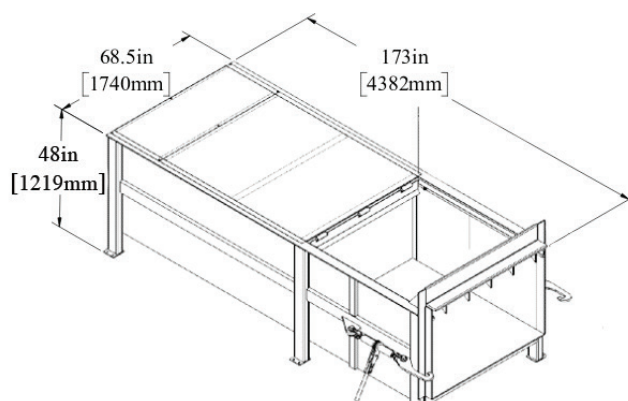


BACE

Revision Date: July 30, 2020

BACE Stationary Compactor C3

Exceptional quality and design make the C3 the right choice for those large commercial and industrial applications. The large charge box opening allows easy loading of bulky items such as drums, pallets, crates and general industrial discards. For those who want to maximize hauling weight and reduce hauling fees, please inquire about our Patented Weight Based IntelliPACT™ System.



Order Today: (877) 506-BACE
or visit us online at www.bacecorp.com

322 West 32nd Street
Charlotte, NC. 28206

BACE Compactors meet existing ANSI Safety Standards and are ETL & CETL Approved.

Available Options

- Advanced / Full Lights
- Auto Timer Start
- Doghouse, Hoppers, Chute, etc.
- Fabricated Options
- Oil Heater
- Ozone Odor Control



LEARN MORE AT WWW.BACECORP.COM

Toll Free: (877) 506-BACE (2223) ▪ Fax: (704) 394-2210

BACE Stationary Compactor C3

SPECIFICATIONS

PERFORMANCE

MFG Rating CU/YD	3
Ram Face (H"xW")	32 x 60
Ram Penetration (in)	14
Cylinder Bore//Stroke/Rod (in)	6 x 79 x 4
Motor (HP)	15
Pump GPM	12.8
Avg. Cycle Time (sec)	63
Clear Top Opening (in)	60 x 63
Discharge Opening (in)	41 x 60
Hydraulic Pressure PSI Normal/Maximum	1800 / 2200
Force Rating (lb) Normal/Maximum	50,893 / 62,203
Approx. Compactor Shipping Weight (lbs)	7670

CONSTRUCTION

Charge Box Sides (in)	1/4
Charge Box Floor (in)	1/2
Ram Face (in)	1/2
Ram Bottom (in)	1/2
Ram Top (in)	1/4
Breaker Bar Structural Angle	6" x 8" x 1"

ADDITIONAL HYDRAULIC/ELECTRICAL CONFIGURATIONS ARE AVAILABLE. PLEASE CALL BACE FOR MORE INFORMATION.

Due to continual product improvement BACE reserves the right to change specifications without notice.

The information and pictures used in the document are for illustrative purposes only.

Printed on recycled paper.