



BACE

Revision Date: July 30, 2020

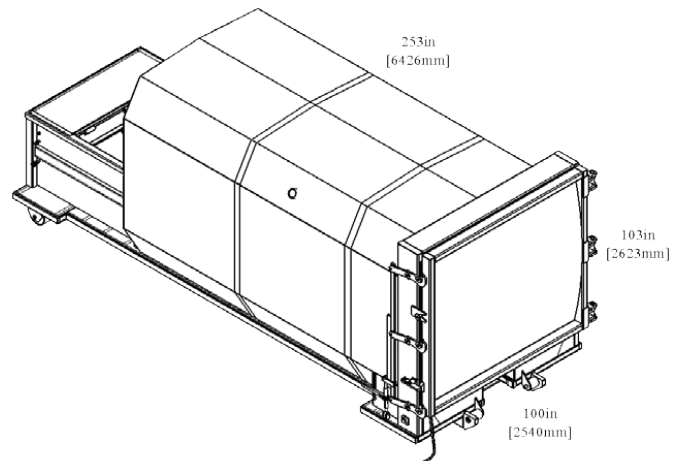
BACE Self-Contained Compactor SC30

The BACE SC series of self-contained compactors is the answer to your wet-refuse requirements. The BACE SC units are ideal for grocery markets, malls, movie theaters, restaurants, hospitals, food processing plants, and retail supercenters that process or produce excessive wet waste and/or want to create an organics program. The Waste Flush Sump System with Waste Flow Design offers a 950-gallon liquid sump reservoir underneath and behind the compaction ram. This putrescible waste is compacted to be emptied at the your local landfill. The unique BACE “T” seal around the door is a specially designed composite that ensures a liquid-tight, self-cleaning seal. For those who want to maximize hauling weight and reduce hauling fees, please inquire about our Patented Weight Based IntelliPACT™ System.

Order Today: (877) 506-BACE
or visit us online at www.bacecorp.com

322 West 32nd Street
Charlotte, NC. 28206

BACE Compactors meet existing ANSI Safety Standards and are ETL & CETL Approved.



Partial List Of Available Options

- Advanced / Full Lights
- Hauler Packout Controls
- Doghouse; Hoppers; Chute; etc.
- Fabricated Options
- Oil Heater
- Ozone Odor Control



LEARN MORE AT WWW.BACECORP.COM

Toll Free: (877) 506-BACE (2223) ▪ Fax: (704) 394-2210

BACE Self-Contained Compactor SC30

SPECIFICATIONS

PERFORMANCE

MFG Rating CU/YD	2CY
Ram Face (H"xW")	27.5 x 60
Ram Penetration (in)	6
Cylinder Bore//Stroke/Rod (in)	4 x 32 (2)
Motor (HP)	10
Pump GPM	10.5
Avg. Cycle Time (sec)	32
Clear Top Opening (in)	40 x 60
Discharge Opening (in)	37 x 60
Hydraulic Pressure PSI Normal/Maximum	1900 / 2300
Force Rating (lb) Normal/Maximum	40,910 / 49,523
Approx. Compactor Shipping Weight (lbs)	10,090

CONSTRUCTION

Charge Box Sides (in)	3/16
Charge Box Floor (in)	1/2
Ram Face (in)	3/8
Ram Bottom (in)	3/8
Ram Top (in)	1/4
Breaker Bar Structural Angle	4" x 6" x 3/4"

ADDITIONAL HYDRAULIC/ELECTRICAL CONFIGURATIONS ARE AVAILABLE. PLEASE CALL BACE FOR MORE INFORMATION.

Due to continual product improvement BACE reserves the right to change specifications without notice.

The information and pictures used in the document are for illustrative purposes only.

Printed on recycled paper.