



BACE

Revision Date: July 30, 2020

BACE Vertical Baler V630CC

Our most popular machine, this 60" Vertical Downstroke Baler is ideally suited for OCC & shrink-wrap, producing bales up to 1,000 lbs



Ideal for

- Big Box Retailers
- Commissaries
- Distribution Centers
- Grocery Stores
- Home Retailers
- Hospitals
- National Accounts
- Pharmacies
- Recyclers
- Schools
- Universities
- Warehouses

Order Today: (877) 506-BACE
or visit us online at www.bacecorp.com

322 West 32nd Street
Charlotte, NC. 28206

*BACE Balers meet existing ANSI Safety Standards
and are ETL & CETL Approved.*

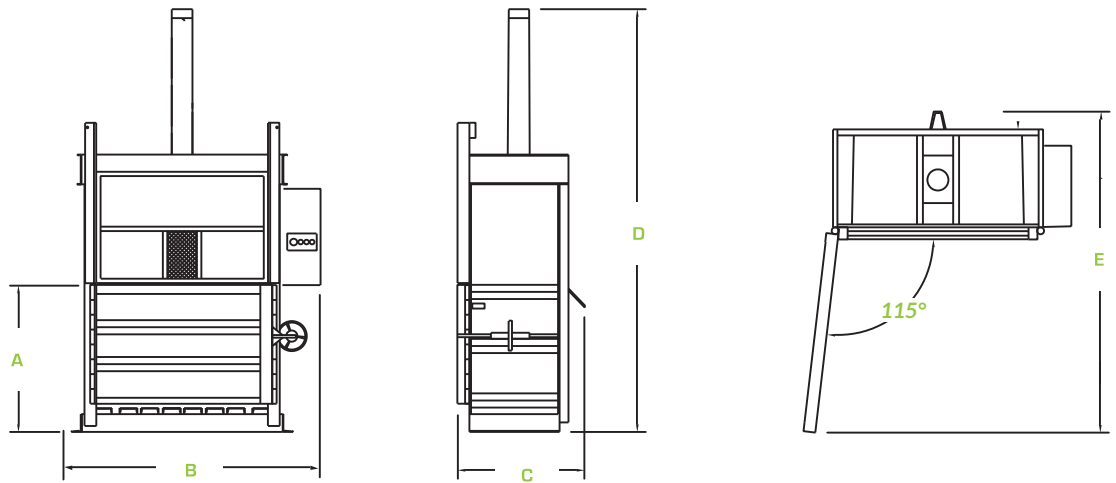


LEARN MORE AT WWW.BACECORP.COM
Toll Free: (877) 506-BACE (2223) • Fax: (704) 394-2210

BACE Vertical Baler V630CC

DIM. (in./mm)

- A. 54.50/1384
- B. 88/2235
- C. 45.5/1154
- D. 139/3530
- E. 97/2481



SPECIFICATIONS	
PERFORMANCE	
Nominal Bale Size	60" x 30" x 48"
Bale Weight	Up to 1000 lbs OCC
Bale Volume	50 cu. ft.
No. of Bale Tie Slots	5
Compact Force lbs - Normal / Maximum	56,548/62,172
Platen Pressure	32 PSI
Average Cycle Time	49 Seconds
Loading Height	54.50"
Ejector System	Semi-Automatic
HYDRAULIC / ELECTRICAL	
Motor HP	10
Voltage 3 Phase	208V, 230V, 480V
Full Load Amps (A = Amps)	30A, 28A, 14A
Pump GPM	10.5
Normal/Maximum System Pressure PSI	2000/2200
Cylinder Bore x Stroke	6" x 42"
Hydraulic Tank Capacity Gallons	22
ADDITIONAL HYDRAULIC/ELECTRICAL CONFIGURATIONS ARE AVAILABLE. PLEASE CALL BACE FOR MORE INFORMATION.	

Available Options

- Slotted Front Door
- Wire Guides (allows for front bale tie-off)
- Rear Feed Opening, Front Eject
- Feed Chute
- Counter Weighted Floppy Retainer Dogs
- Oil Heater
- Weather Proof Package

*Due to continual product improvement BACE reserves the right to change specifications without notice.
The information and pictures used in the document are for illustrative purposes only.
Printed on recycled paper.*