



# BACE

## BACE Vertical Baler V3016HD

You can increase your recycling time of refuse containers over 7 times faster than manually extracting the liquids. This equipment can make a single bale from up to 4000 aluminum beverage cans and up to 2000 plastic beverage bottles. The baler includes a system to capture the liquid waste and divert it to an approved drain.

### Ideal for

- Big Box Retailers
- Bottling Companies (ie; Coca-Cola)
- Commissaries
- Distribution Centers
- Grocery Stores
- Home Retailers
- Hospitals
- National Accounts
- Pharmacies
- Recyclers
- Schools
- Soda or Water Distributors
- Universities
- Warehouses

**Order Today: (877) 506-BACE**  
or visit us online at [www.bacecorp.com](http://www.bacecorp.com)

322 West 32nd Street  
Charlotte, NC. 28206

*BACE Balers meet existing ANSI Standards  
and are ETL & CETL Approved.*

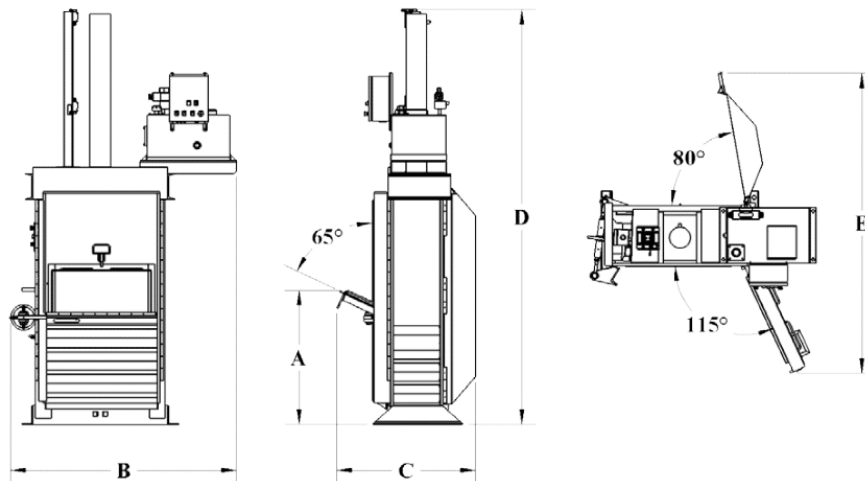


**LEARN MORE AT [WWW.BACECORP.COM](http://WWW.BACECORP.COM)**  
Toll Free: (877) 506-BACE (2223) • Fax: (704) 394-2210

# BACE Vertical Baler V3016HD

## DIM. (in./mm)

- A. 42/1067
- B. 70/1778
- C. 43/1092
- D. 130/3302
- E. 93/2362



SPECIFICATIONS	
<b>PERFORMANCE</b>	
Nominal Bale Size	30" x 16" x 24"
Bale Weight	Up to 250 lbs
Bale Volume	6.7 cu. ft.
No. of Bale Tie Slots	4
Compact Force lbs - Normal / Maximum	62,203
Average Cycle Time	49 Seconds
Loading Height	42"
Ejector System	Semi-Automatic
<b>HYDRAULIC / ELECTRICAL</b>	
Motor HP	15
Voltage 3 Phase	208V, 230V, 480V
Full Load Amps (A = Amps)	48A, 42A, 21A
Pump GPM	12
Normal System Pressure PSI	2200
Cylinder Bore x Stroke	6" x 48"
Hydraulic Tank-Capacity Gallons	22
ADDITIONAL HYDRAULIC/ELECTRICAL CONFIGURATIONS ARE AVAILABLE. PLEASE CALL BACE FOR MORE INFORMATION.	

## Available Options

- Oil Heater
- Weather Proof Package

*Due to continual product improvement BACE reserves the right to change specifications without notice.  
The information and pictures used in the document are for illustrative purposes only.  
Printed on recycled paper.*