



# BACE

## BACE Vertical Baler V63-865

This non-ferrous scrap baler produces more than 150,000 lbs. of compact force at more than 80 PSI of patent pressure. The 65" stroke cylinder provides maximum compaction, extending to within a few inches of the floor. Manufactured for tin, aluminum, brass, bronze, and other non-ferrous metals, it also bales paper, paper cores, plastics, and other recyclables.

### Ideal for

- Grocery Stores
- Home Retailers
- Big Box Retailers
- National Accounts
- Commissaries
- Warehouses
- Distribution Centers
- Hospitals, Schools & Universities



**Order Today: (877) 506-BACE**  
or visit us online at [www.bacecorp.com](http://www.bacecorp.com)

322 West 32nd Street  
Charlotte, NC. 28206

*BACE Balers meet existing ANSI Standards  
and are ETL & CETL Approved.*

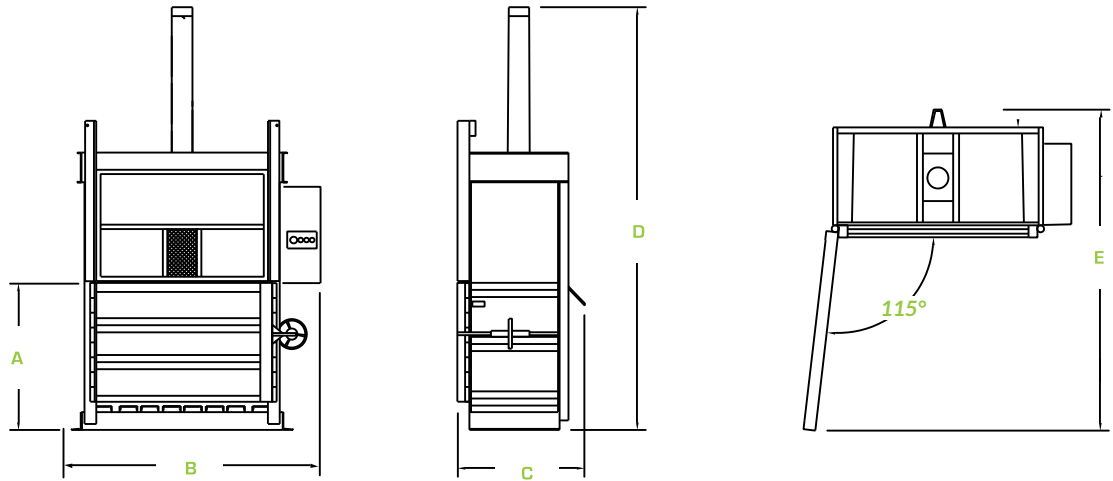


**LEARN MORE AT [WWW.BACECORP.COM](http://WWW.BACECORP.COM)**  
Toll Free: (877) 506-BACE (2223) • Fax: (704) 394-2210

# BACE Vertical Baler V63-865

## DIM. (in./mm)

- A. 53.5/1359
- B. 94/2388
- C. 47/1194
- D. 169.5/4305
- E. 96/2438



SPECIFICATIONS	
<b>PERFORMANCE</b>	
Nominal Bale Size	60" x 30" x 48"
Bale Weight	Up to 2000 lbs OCC
Bale Volume	50 cu. ft.
No. of Bale Tie Slots	5
Compact Force lbs	150,798
Platen Pressure	84 PSI
Average Cycle Time	53 Seconds
Loading Height	53.50"
Ejector System	Semi-Automatic
<b>HYDRAULIC / ELECTRICAL</b>	
Power Unit (side mount is standard)	10 HP Submersible - Dual Pump with Regen
Voltage 3 Phase	208V, 230V, 480V
Full Load Amps (A = Amps)	32A, 28A, 14A
Pump GPM	14/4 Dual Pump with Regen
Factory Set System Pressure PSI	3000
Cylinder Bore x Stroke	8" x 65"
Hydraulic Tank Capacity Gallons	60
ADDITIONAL HYDRAULIC/ELECTRICAL CONFIGURATIONS ARE AVAILABLE. PLEASE CALL BACE FOR MORE INFORMATION.	

## Available Options

- Slotted Front Door
- Wire Guides (allows for front bale tie-off)
- Feed Chute
- Counter Weighted Floppy Retainer Dogs
- Oil Heater
- Weather Proof Package

*Due to continual product improvement BACE reserves the right to change specifications without notice.*

*The information and pictures used in the document are for illustrative purposes only.*

*Printed on recycled paper.*