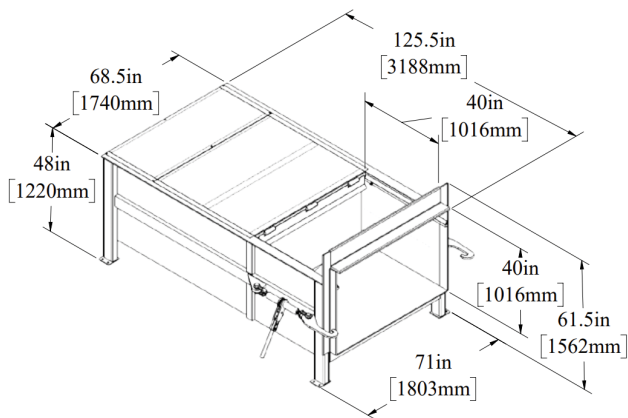




BACE

BACE Stationary Compactor C2

The BACE C2, 2-yard compactor features a 40" x 60" clear charge box opening, 48" loading height, and 54,000 lbs. of compaction force. The C2 and a 40-yard compactor receiver container are the superior combination of recycling and waste handling equipment for such applications as distribution centers, warehousing and industrial facilities.



Available Options

- Advanced / Full Lights
- Auto Timer Start
- Doghouse, Hoppers, Chute, etc.
- Fabricated Options
- Oil Heater
- Ozone Odor Control

Order Today: (877) 506-BACE
or visit us online at www.bacecorp.com

322 West 32nd Street
Charlotte, NC. 28206

BACE Vertical Balers meet or exceed all existing ANSI & OSHA Safety Standards and are totally 100% ETL & CETL Approved.



LEARN MORE AT WWW.BACECORP.COM

Toll Free: (877) 506-BACE (2223) • Fax: (704) 394-2210
BACE equipment meets or exceeds ANSI standard Z245.5.

BACE Stationary Compactor C2

SPECIFICATIONS

PERFORMANCE

MFG Rating CU/YD	2
Ram Face (H"xW")	30 x 60
Ram Penetration (in)	11
Cylinder Bore//Stroke/Rod (in)	6 x 56 x 3
Motor (HP)	10
Voltage 3 Phase	208V, 230V, 480V
Full Load Amps (A = Amps)	30A, 28A, 14A
Pump GPM	10.5
Avg. Cycle Time (sec)	65
Clear Top Opening (in)	40 x 60
Discharge Opening (in)	37 x 60
Hydraulic Pressure PSI Normal/Maximum	1800 / 2200
Force Rating (lb) Normal/Maximum	50,893 / 62,203
Approx. Compactor Shipping Weight (lbs)	5500

CONSTRUCTION

Charge Box Sides (in)	¼
Charge Box Floor (in)	½
Ram Face (in)	½
Ram Bottom (in)	⅜
Ram Top (in)	¼
Breaker Bar Structural Angle	6" x 8" x 1"

ADDITIONAL HYDRAULIC/ELECTRICAL CONFIGURATIONS ARE AVAILABLE. PLEASE CALL BACE FOR MORE INFORMATION.

Due to continual product improvement BACE reserves the right to change specifications without notice.

The information and pictures used in the document are for illustrative purposes only.

Printed on recycled paper.