



# BACE

## BACE Vertical Baler V43DC

At 56,000 pounds of crushing force, the BACE V43DC can crush a steel drum down to a height of 4-6 inches tall. Simple pushbutton operation and automatic cycling makes this machine ideal for a military installation, a pharmaceutical processor or a manufacturing plant and recyclers.

This unit can convert into an inside-the-drum waste compactor by getting an extra compaction head sized for a 55-gallon drum. You have the option of doing this now or years down the road.

### Drum Crusher Benefits

- *Reduces Storage Space up to 80%*
- *Save on Transportation Costs*
- *Safer Environment*
- *In Drum Packing for: Oil Filters, Screens, Smaller Drums or Containers*



**Order Today: (877) 506-BACE**  
or visit us online at [www.bacecorp.com](http://www.bacecorp.com)

200 Ratchford Rd.  
York, SC 29745

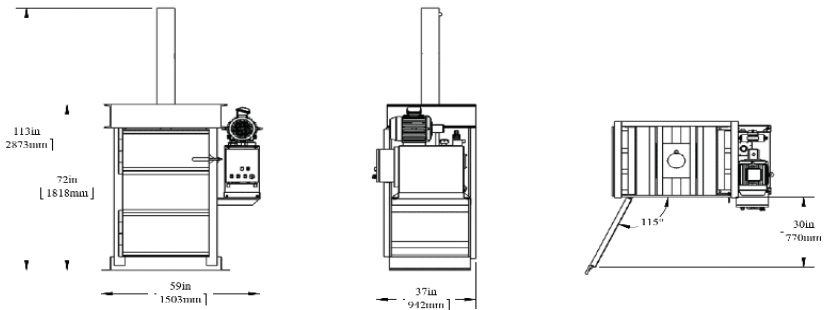
*BACE Vertical Balers meet or exceed all existing ANSI & OSHA Safety Standards and are totally 100% ETL & CETL Approved.*



**LEARN MORE AT [WWW.BACECORP.COM](http://WWW.BACECORP.COM)**

Toll Free: (877) 506-BACE (2223) • Fax: (704) 394-2210  
BACE equipment meets or exceeds ANSI standard Z245.5.

# BACE Vertical Baler V43DC



The V43DC (Drum Crusher) is designed to compress a 55 Gallon Drum to 5" high.

The machine dimensions are 59" width, 37" depth, and 113" height.

SPECIFICATIONS	
<b>PERFORMANCE</b>	
Compact Force lbs - Normal / Maximum	56,548 / 62,202
Platen Pressure	40 PSI
Average Cycle Time	48 Seconds
<b>HYDRAULIC / ELECTRICAL</b>	
Motor HP	10
Voltage 3 Phase	208V, 230V, 480V
Full Load Amps (A = Amps)	30A, 28A, 14A
Pump GPM	10.5
Normal System Pressure PSI	2000
Max. System Pressure PSI	2200
Cylinder Bore	6"
Hydraulic Tank-Capacity Gallons	22
ADDITIONAL HYDRAULIC/ELECTRICAL CONFIGURATIONS ARE AVAILABLE. PLEASE CALL BACE FOR MORE INFORMATION.	

## Highlights

- 56,000 hydraulic force for inside drum compaction/drum crushing
- 6" Cylinder
- Drum Piercing: Punch a hole through the top or all the way through the bottom
- ANSI Z245.5 Compliant - All balers meet or exceed ANSI Z245.5 safety standards.
- UL/CUL Listed Control Panels
- Oil Sight Gauge - Oil level at a glance
- Heavy Duty Controls - NEMA 4 rated pushbutton controls with key-lockable start switch

## Available Options

- Alternative Compaction Head - (CH): Compact waste into the drum with the same machine
- Bolt-on-Crush Plate - (CP): For quick change-out between crushing and compacting
- Explosion-Proof Controls: non-sparking hydraulic or pneumatic control circuits
- Liquid Containment: Control spills or leftover residue
- RAM Bottom Lock Control: Keep plastic drums crushed
- Special Custom Options

*Due to continual product improvement BACE reserves the right to change specifications without notice.*

*The information and pictures used in the document are for illustrative purposes only.*

*Printed on recycled paper.*